

# PERKO®

Cat. No. 0946 Series  
Stern Lights

The above lights are designed for use on sail or power driven vessels under 20 meters (65.6 ft.) in length operating on a nominal 12 volt or 32 volt system. In order to comply with the '72 COLREGS and the U.S. Inland Rules, the following must be adhered to:

### MOUNTING INFORMATION

**Read all instructions before proceeding**

- 1). These Instructions show the orientation of the light after the proper location has been determined. For proper light selection, positioning and configuration, refer to A.B.Y.C. Standard A-16\* the '72 COLREGS\* and the U.S. Inland Navigation Rules.
- 2). These lights are supplied with the proper bulb for operation on a nominal 12 volt system or a nominal 32 volt system. Use PERKO Cat. No. 0070DPOCLR, 12V, 10W bulb for a 12 volt system (Cat. No. 094600112V and 09460DP112V Stern Light). Use PERKO Cat. No. 0070DP2CLR bulb for a 32 volt system (Cat. No. 0946DP332V Stern Light). **NOTE: PERKO Series 0946 used with a 32V bulb is not certified in accordance with 33 CFR 183.810 as this light is intended for replacement use only on appropriate vessels constructed prior to 11/1/03. All previous certifications apply.**
- 3). These lights are designed to be mounted on a vertical surface that is perpendicular to the centerline of the boat and facing astern.
- 4). Draw a 6 inch long horizontal reference line through the center of the selected mounting location.
- 5). Cut out the mounting template, Tape it on the mounting surface such that the reference line (drawn above) passes through the exact center of the template.
- 6). Drill two holes through the template as indicated for the #6 mounting screws.
- 7). Drill a 2-1/8 inch hole to accommodate socket holder as indicated.
- 8). Attach supply connections to the light, making sure to wire in accordance with both A.B.Y.C. Standard E-11\* and U.S. Coast Guard Safety Standards for Boat Electrical Systems (33 CFR 183).
- 9). Attach the light to mounting surface using #6 screws, noting that the lens is marked "up" and "down" for proper orientation (see template).

\* The above referenced standards can be obtained from:

- (1). American Boat & Yacht Council, Inc.  
613 Third Street, Suite 10  
Annapolis, MD 21403
- (2). U.S. Coast Guard  
Washington, D.C. 20593  
(or your local C.G. office)

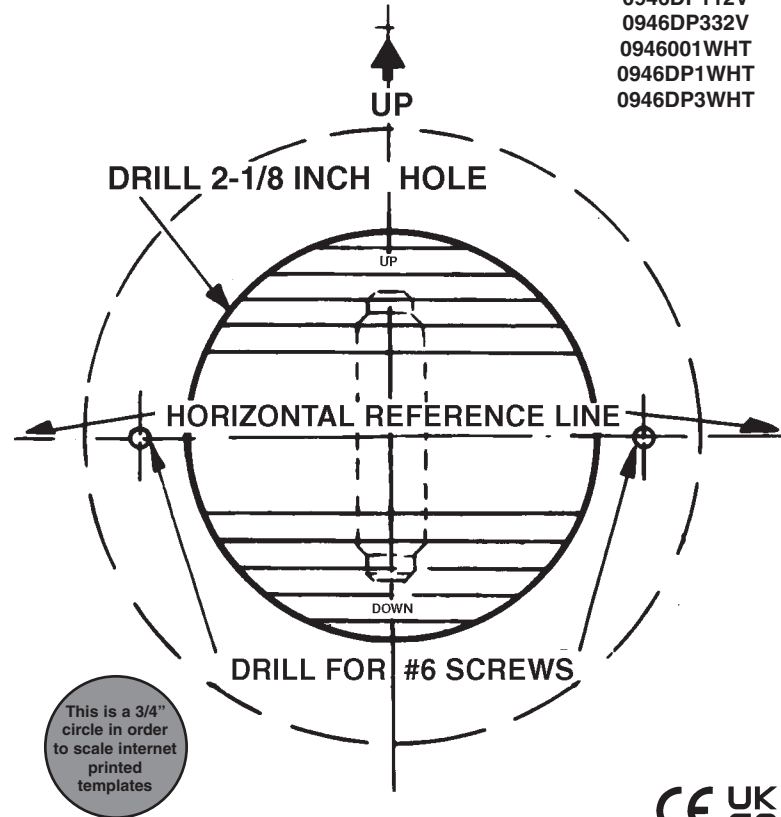
PERKO, INC.  
16490 N.W. 13th Avenue  
Miami, FL 33169-5707  
www.perko.com

0946INS1  
07/22



# MOUNTING TEMPLATE

**CAT. NOS.**  
094600112V  
0946DP112V  
0946DP332V  
0946001WHT  
0946DP1WHT  
0946DP3WHT



CE UK  
CA